

L6Q

- Aluminium-Alloy IP65 single point load cell
- Colourless anodized
- Suitable for single or double load cell structured platform scales
- Maximum platform size: 400 x 400 mm



Available models

Capacity	Accuracy	Full article description
50 kg	C3/C4	L6Q-C3/C4-50kg-3B6
100 kg	C3/C4/C5	L6Q-C3/C4/C5-100kg-3B6
150 kg	C3/C4/C5	L6Q-C3/C4/C5-150kg-3B6
200 kg	C3/C4/C5	L6Q-C3/C4/C5-200kg-3B6
250 kg	C3/C4/C5	L6Q-C3/C4/C5-250kg-3B6



test certificate no. D09-07.06 and TC7969 Revision
0 C of C no R60/2000-NL1-11.22

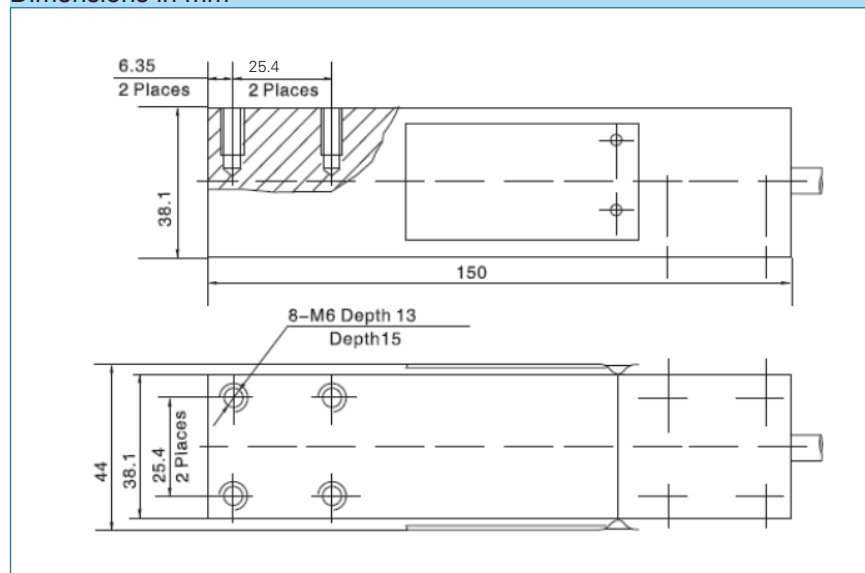


Certificate no. 11-104

Specification

Accuracy class		OIML R60 C3	OIML R60 C4	OIML R60 C5
Output sensitivity (= FS)	mV/V	2.0 ± 0.2		
Maximum capacity (E _{max})	kg	50, 100, 150, 200, 250	100, 150, 200, 250	
Maximum number of load cell intervals (nLC)		3000	4000	5000
Ratio of minimum LC verification interval Y = E _{max} / v _{min}		10000	15000	20000
Combined error	%FS	± 0.02	± 0.015	± 0.01
Minimum dead load	of E _{max}	0		
Safe overload	of E _{max}	120 %		
Ultimate overload	of E _{max}	150 %		
Zero balance	%FS	± 2.0		
Excitation, recommended voltage	V	5 ~ 12(DC)		
Excitation maximum	V	18(DC)		
Input resistance	Ω	406 ± 6		
Output resistance	Ω	350 ± 3		
Insulation resistance	MΩ	≥ 5000 (50VDC)		
Compensated temperature	°C	-10 ~ +40		
Operating temperature	°C	-35 ~ +65		
Storage temperature	°C	-40 ~ +70		
Element material		Aluminium		
Recommended torque on fixation	N.m	M6: 10		
Ingress protection (according to EN 60529)		IP65		

Dimensions in mm



Wiring

